

# acecube

versatile

## Model (ACV-450L / 118G)

The AceCube Versatile ACV-450L/118G tank is designed for the safe and secure transporting and storage of various industrial lubricants and hazardous liquids worldwide.



### Specifications

	Metric	US	Imperial
Capacity	450 Litres	118 Gallons	99 Gallons
Length	1466 mm	57 11/16"	57 11/16"
Width	1066 mm	41 15/16"	41 15/16"
Height	853 mm	33 9/16"	33 9/16"
Outer Tank Thickness	3 mm	1/16"	1/16"
Inner Tank Thickness	4 mm	2/16"	2/16"
Weight, Tare	393 kg	866 lbs, 7oz	866 lbs, 7oz
Weight, Laden	814 kg	1794 lbs, 9oz	1794 lbs, 9oz
Safe Fuel Fill Level	428 Litres	113 Gallons	94 Gallons

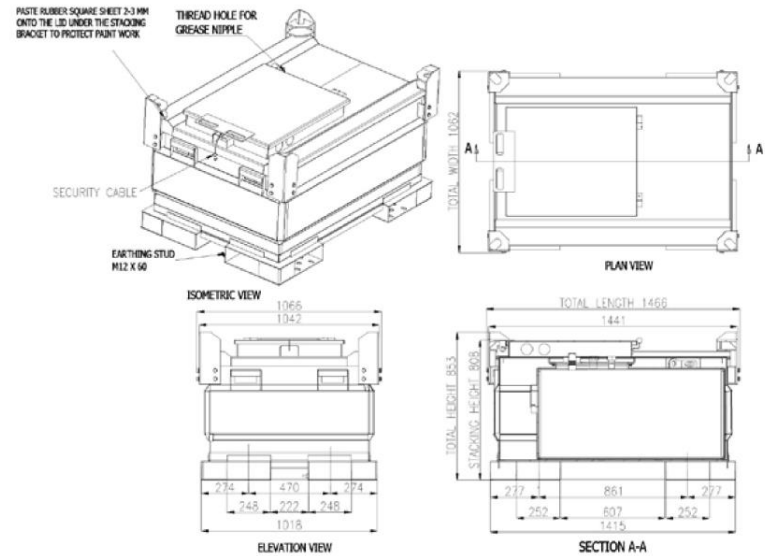
### Approvals and Certifications

#### UK & Europe

- ✓ Trade Mark Certificate Europe
- ✓ Trade Mark Certificate UK
- ✓ (IBC) Intermediate Bulk Containment
- ✓ UN 31 A/Y
- ✓ Adhering to ADR regulations
- ✓ Lifting when Full Certified
- ✓ PPG2 & PPG26
- ✓ Vibration Tested
- ✓ ULI42
- ✓ ULCS601-14
- ✓ Patent no: GB2502198

#### USA & Canada

- ✓ (IBC) Intermediate Bulk Containment
- ✓ TSSA B1390 ON - 2006 (Optional)
- ✓ UN 31 A/Y
- ✓ DOT USA
- ✓ DOT Canada
- ✓ Lifting when Full Certified
- ✓ Vibration Tested
- ✓ ULI42
- ✓ ULCS601-14
- ✓ Patent no: GB2502198

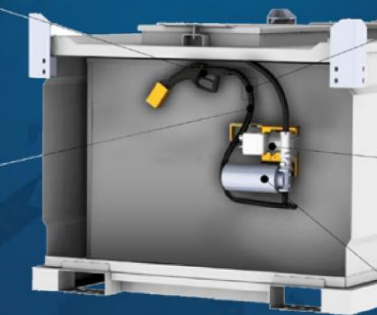


DISPENSING NOZZLE VARIATIONS



HOSES WITH ISO QUICK RELEASE COUPLERS

The range has an extra large equipment compartment area that can house a variety of accessories.



DIGITAL FLOW METERS



ENGINE DRIVEN OR ELECTRIC PUMPS



IN LINE PARTIAL SEPARATION FILTERS